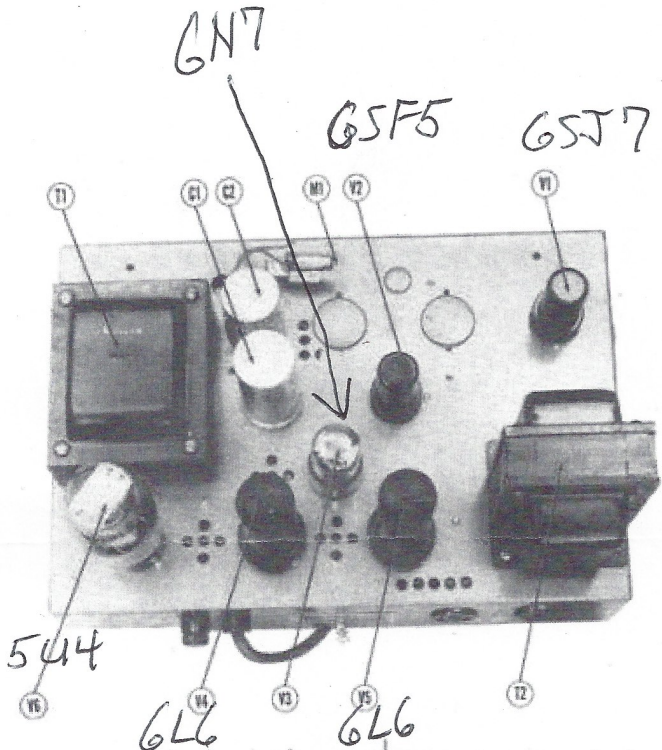


CHASSIS—TOP VIEW



PARTS LIST AND DESCRIPTIONS

QTY	PART NO.	DESCRIPTION	REMARKS
1	5U4	Rectifier Tube	
1	6L6	Power Tube	
1	6N7	Detector Tube	
1	6SF5	Detector Tube	
1	6SJ7	Detector Tube	

CAPACITORS

Capacity values given in this rating column are in microfarads, unless otherwise specified.

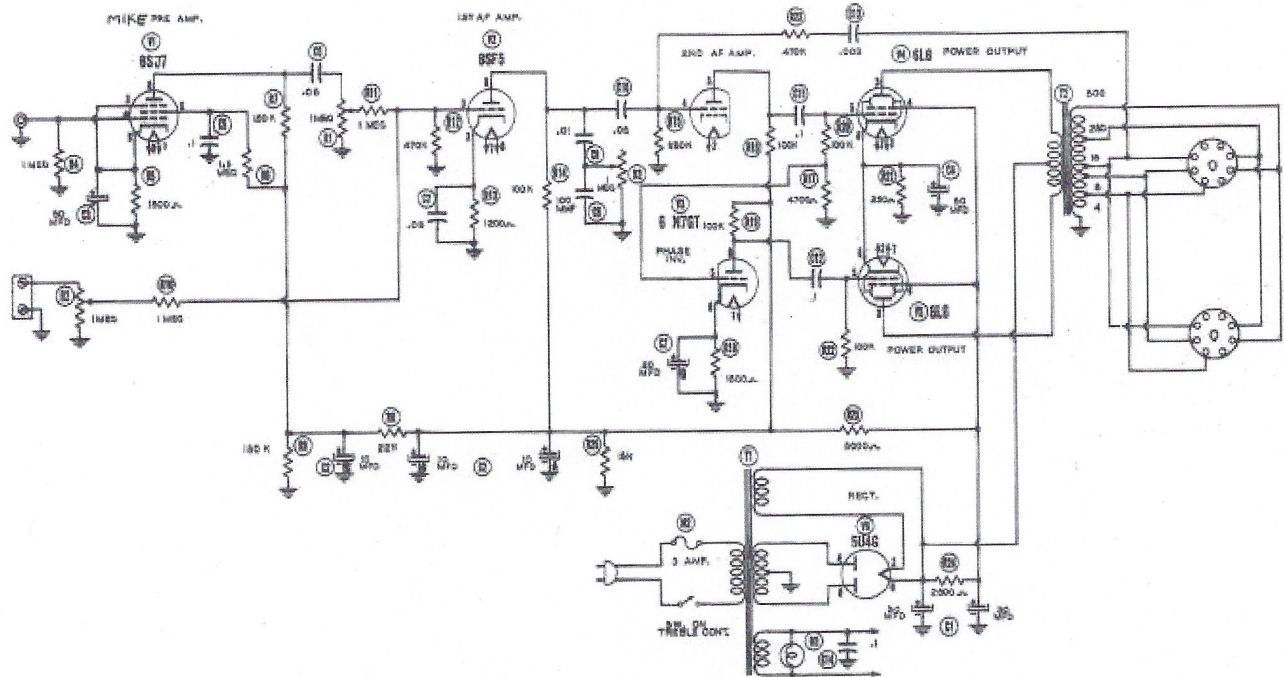
ITEM NO.	QTY	TYPE	VALUE	MANUFACTURER	REMARKS
C1	1	500V	0.001	500V	
C2	1	500V	0.001	500V	
C3	1	500V	0.001	500V	
C4	1	500V	0.001	500V	
C5	1	500V	0.001	500V	
C6	1	500V	0.001	500V	
C7	1	500V	0.001	500V	
C8	1	500V	0.001	500V	
C9	1	500V	0.001	500V	
C10	1	500V	0.001	500V	
C11	1	500V	0.001	500V	
C12	1	500V	0.001	500V	
C13	1	500V	0.001	500V	
C14	1	500V	0.001	500V	
C15	1	500V	0.001	500V	
C16	1	500V	0.001	500V	
C17	1	500V	0.001	500V	
C18	1	500V	0.001	500V	
C19	1	500V	0.001	500V	
C20	1	500V	0.001	500V	

CONTROLS

ITEM NO.	QTY	TYPE	VALUE	MANUFACTURER	REMARKS
R1	1	500V	0.001	500V	
R2	1	500V	0.001	500V	
R3	1	500V	0.001	500V	
R4	1	500V	0.001	500V	
R5	1	500V	0.001	500V	
R6	1	500V	0.001	500V	
R7	1	500V	0.001	500V	
R8	1	500V	0.001	500V	
R9	1	500V	0.001	500V	
R10	1	500V	0.001	500V	
R11	1	500V	0.001	500V	
R12	1	500V	0.001	500V	
R13	1	500V	0.001	500V	
R14	1	500V	0.001	500V	
R15	1	500V	0.001	500V	
R16	1	500V	0.001	500V	
R17	1	500V	0.001	500V	
R18	1	500V	0.001	500V	
R19	1	500V	0.001	500V	
R20	1	500V	0.001	500V	

RESISTORS

ITEM NO.	QTY	TYPE	VALUE	MANUFACTURER	REMARKS
R1	1	500V	0.001	500V	
R2	1	500V	0.001	500V	
R3	1	500V	0.001	500V	
R4	1	500V	0.001	500V	
R5	1	500V	0.001	500V	
R6	1	500V	0.001	500V	
R7	1	500V	0.001	500V	
R8	1	500V	0.001	500V	
R9	1	500V	0.001	500V	
R10	1	500V	0.001	500V	
R11	1	500V	0.001	500V	
R12	1	500V	0.001	500V	
R13	1	500V	0.001	500V	
R14	1	500V	0.001	500V	
R15	1	500V	0.001	500V	
R16	1	500V	0.001	500V	
R17	1	500V	0.001	500V	
R18	1	500V	0.001	500V	
R19	1	500V	0.001	500V	
R20	1	500V	0.001	500V	



RESISTOR READINGS

Item	Value	Pin 1	Pin 2	Pin 3	Pin 4	Pin 5	Pin 6	Pin 7	Pin 8
V 1	6S7	OV	1	100K	100K	100K	100K	1	100K
V 2	6SF5	100K	100K	100K	100K	100K	100K	1	100K
V 3	6X4	100K	100K	100K	100K	100K	100K	1	100K
V 4	6L6	100K	100K	100K	100K	100K	100K	1	100K
V 5	6L6	100K	100K	100K	100K	100K	100K	1	100K
V 6	6X4	100K	100K	100K	100K	100K	100K	1	100K

1 6.3 VAC REBURNED ACROSS FILAMENTS

RESISTOR READINGS

Item	Value	Pin 1	Pin 2	Pin 3	Pin 4	Pin 5	Pin 6	Pin 7	Pin 8
V 1	6S7	OV	1	100K	100K	100K	100K	1	100K
V 2	6SF5	100K	100K	100K	100K	100K	100K	1	100K
V 3	6X4	100K	100K	100K	100K	100K	100K	1	100K
V 4	6L6	100K	100K	100K	100K	100K	100K	1	100K
V 5	6L6	100K	100K	100K	100K	100K	100K	1	100K
V 6	6X4	100K	100K	100K	100K	100K	100K	1	100K

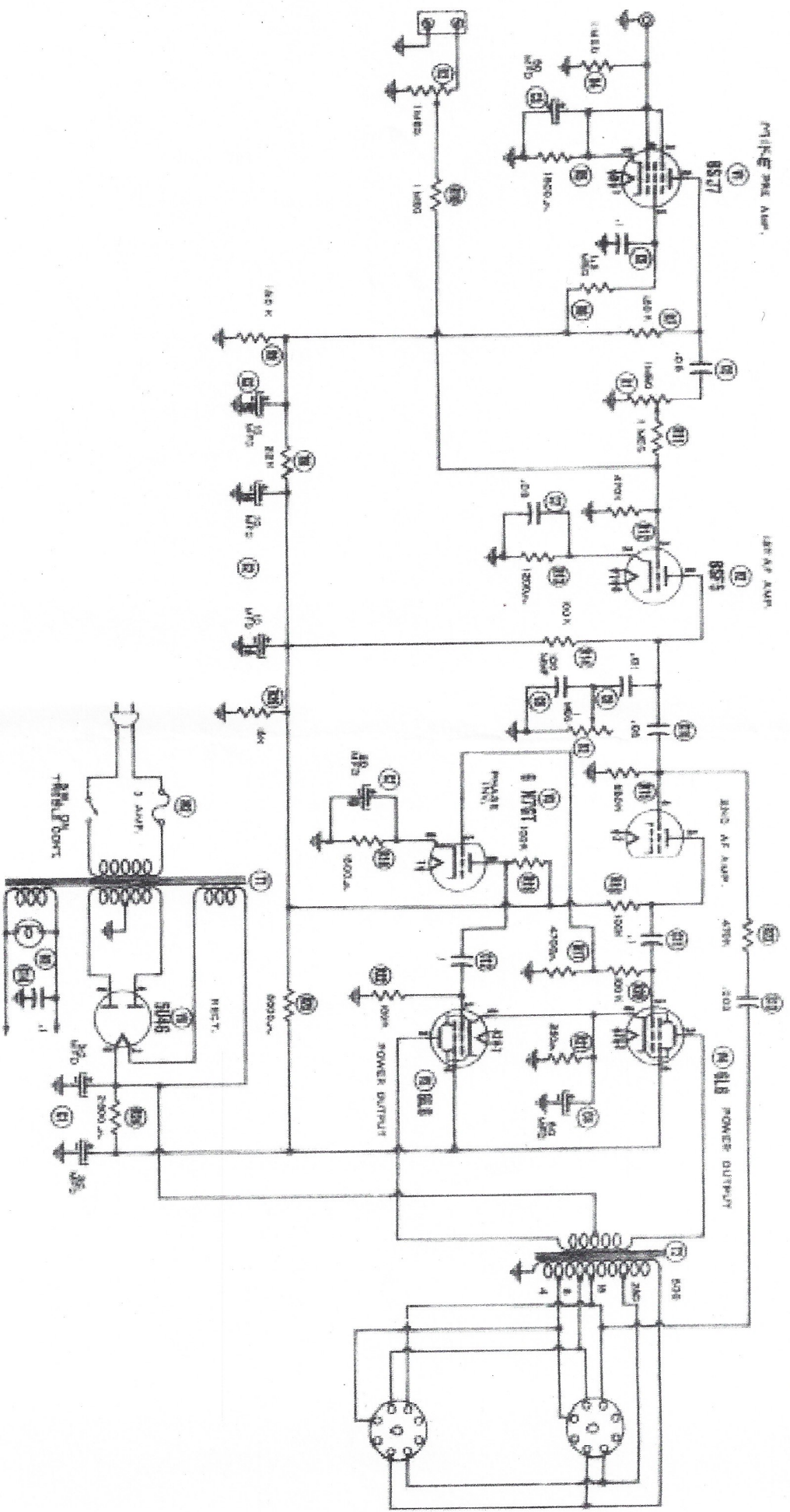
1 MEASURED FROM PIN 8 OF V6

THE COOPERATION OF THE MANUFACTURER OF THIS EQUIPMENT WOULD BE NECESSARY TO BRING YOU THIS SERVICE

A PHOTOFACIT STANDARD NOTATION SCHEMATIC
©Howard W. Soren & Co., Inc. 1951

128-15

- 1 - DC Voltage measurements are at 30,000 ohms per volt; AC Voltages measured at 1000 phas per volt.
- 2 - Socket connections are shown as bottom views.
- 3 - Measured values are from socket pin to common negative.
- 4 - Low voltage estimated at 117 volts for voltage readings.
- 5 - Reciprocal tolerance on component values makes possible a variation of ± 15% in voltage and resistance readings.
- 6 - All controls at maximum, proper output load connected.



6X4 250V AC

6BE6 250V AC

6AR5 250V AC

6X4 250V AC

CONDENSERS

No.	Value	No. 1	No. 2	No. 3	No. 4	No. 5	No. 6	No. 7	No. 8
V.1	500P								
V.2	500P								
V.3	500P								
V.4	500P								
V.5	500P								
V.6	500P								
V.7	500P								
V.8	500P								
V.9	500P								
V.10	500P								

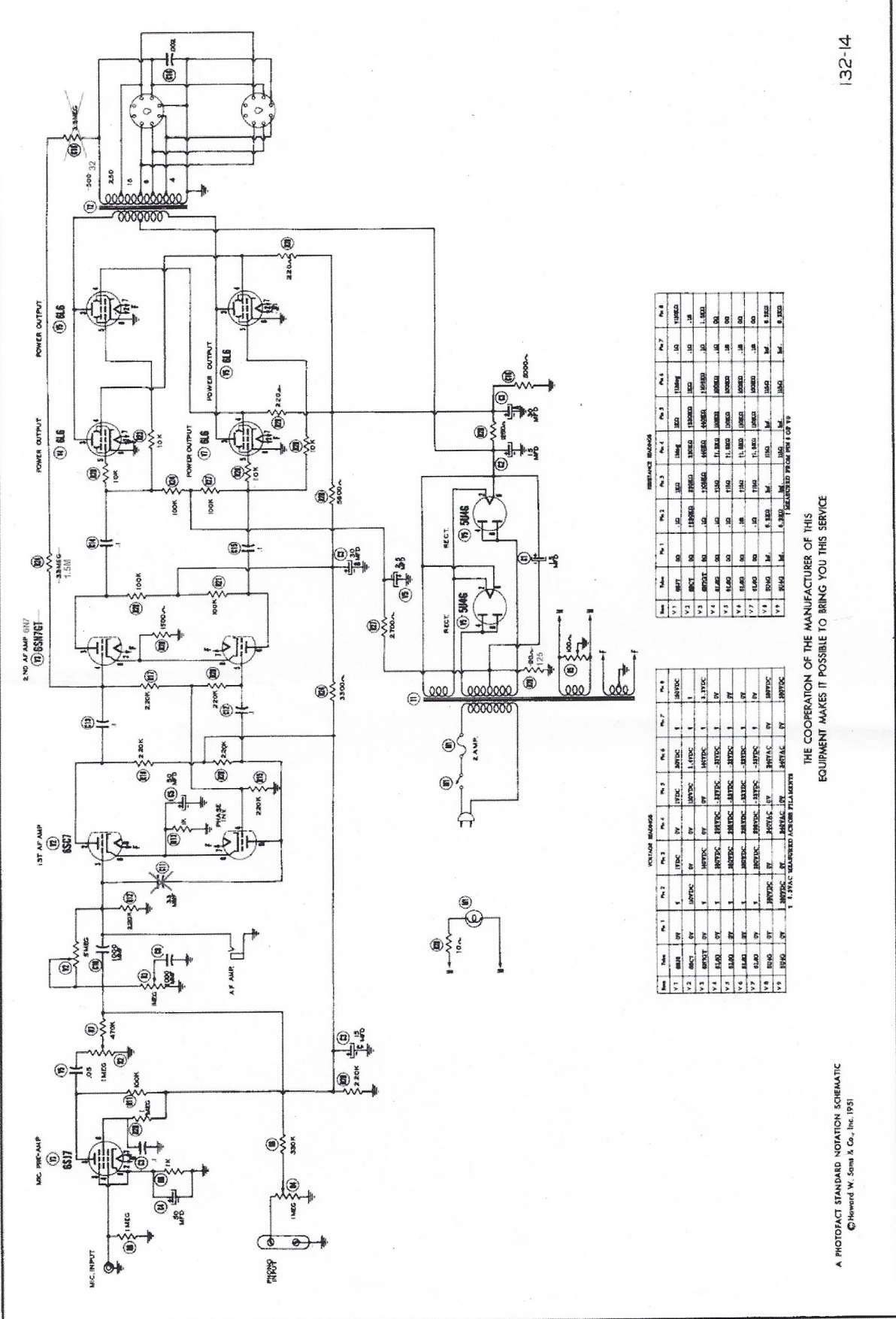
RESISTORS

No.	Value	No. 1	No. 2	No. 3	No. 4	No. 5	No. 6	No. 7	No. 8
V.1	500K								
V.2	500K								
V.3	500K								
V.4	500K								
V.5	500K								
V.6	500K								
V.7	500K								
V.8	500K								
V.9	500K								
V.10	500K								

THE EDUCATION OF THE MANUFACTURER OF THIS EQUIPMENT WOULD BE POSSIBLE TO BEING FOR THE SERVICE

1.0-3 VAC DIMENSIONED ACCORD TO PART 10

1. DIMENSIONED FROM TOP LEFT



REFERENCE RANGE

Pin	Pin 1	Pin 2	Pin 3	Pin 4	Pin 5	Pin 6	Pin 7	Pin 8
V1	800	50	100	100K	100K	100K	100K	100K
V2	800	50	100	100K	100K	100K	100K	100K
V3	800	50	100	100K	100K	100K	100K	100K
V4	800	50	100	100K	100K	100K	100K	100K
V5	800	50	100	100K	100K	100K	100K	100K
V6	800	50	100	100K	100K	100K	100K	100K
V7	800	50	100	100K	100K	100K	100K	100K
V8	800	50	100	100K	100K	100K	100K	100K
V9	800	50	100	100K	100K	100K	100K	100K

VOLTAGE RANGE

Pin	Pin 1	Pin 2	Pin 3	Pin 4	Pin 5	Pin 6	Pin 7	Pin 8
V1	800	50	100	100K	100K	100K	100K	100K
V2	800	50	100	100K	100K	100K	100K	100K
V3	800	50	100	100K	100K	100K	100K	100K
V4	800	50	100	100K	100K	100K	100K	100K
V5	800	50	100	100K	100K	100K	100K	100K
V6	800	50	100	100K	100K	100K	100K	100K
V7	800	50	100	100K	100K	100K	100K	100K
V8	800	50	100	100K	100K	100K	100K	100K
V9	800	50	100	100K	100K	100K	100K	100K

THE COOPERATION OF THE MANUFACTURER OF THIS EQUIPMENT MAKES IT POSSIBLE TO BRING YOU THIS SERVICE

A PHOTOFACT STANDARD NOTATION SCHEMATIC ©Howard W. Sams & Co., Inc. 1951

132-14

- 1 - DC Voltage measurements are at 20,000 ohms per volt; AC Voltages measured at 1000 ohms per volt.
- 2 - Socket connections are shown as bottom views.